

F

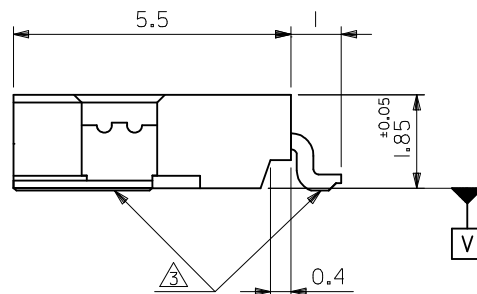
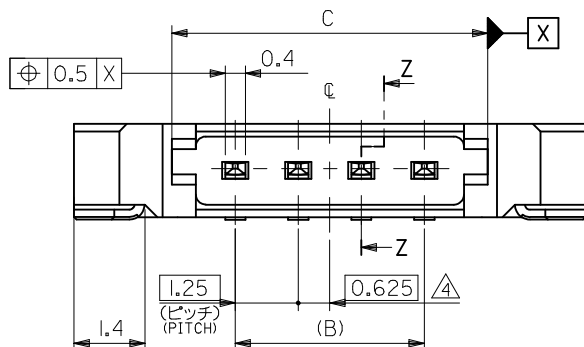
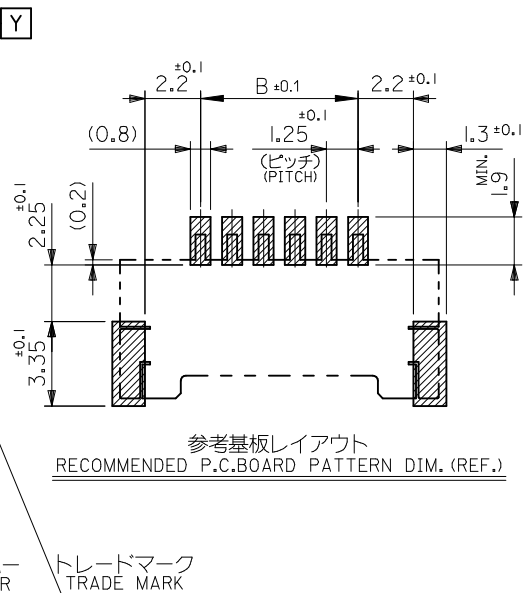
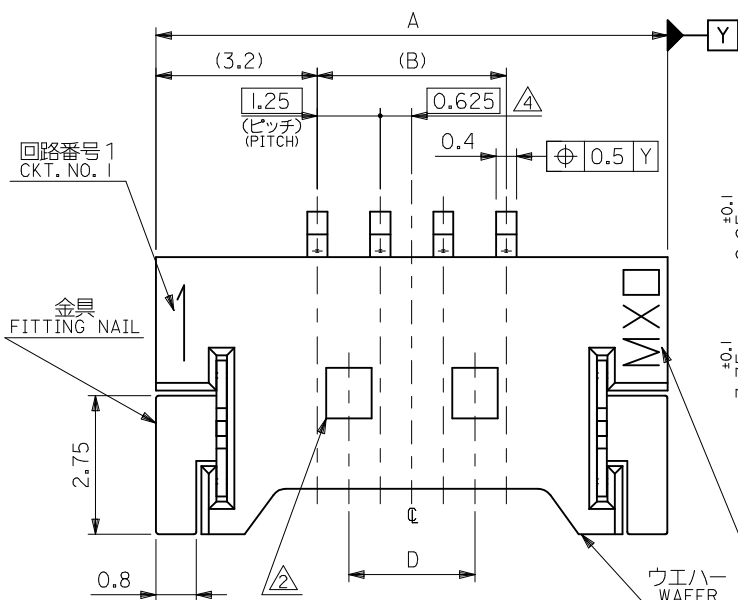
E

D

C

B

A



注記 NOTES

- 嵌合相手：51146 シリーズ
MATES WITH : 51146 SERIES
- ロック窓は2、3極品は1箇所、4極品以上は2箇所とする。
LOCKING WINDOW : ONE PLACE FOR 2 AND 3 CIRCUIT PRODUCTS AND TWO PLACES FOR MORE THAN 3 CIRCUIT PRODUCTS.
- 基準面 [V] からのソルダーテールと金具の半田付け面のズレ量は、上方向きに 0.05MAX. 下方向き 0.15MAX. とし、20 極以下の相互のバラツキ量は 0.1MAX. とする。
MISALIGNMENT OF SOLDER TAIL AND FITTING NAIL FROM [V] : UPPER DIRECTION 0.05MAX. : LOWER DIRECTION 0.15MAX. : OFFSET BETWEEN UPPER AND LOWER 0.1MAX. (UNDER 20 CKTS.)
- 偶数極の製品に適用。
APPLY EVEN CIRCUIT PRODUCTS.
- 材質 MATERIAL
ウエハー WAFER : PPS, UL94V-0
ピン: リン青銅 PIN: PHOSPHOR BRONZE
コンタクト部: 金メッキ 0.2 マイクロメートル以上
CONTACT AREA: GOLD 0.2 MICROMETER MINIMUM
テール部: 錫メッキ 3.0 マイクロメートル以上
TAIL AREA: TIN 3.0 MICROMETER MINIMUM
下地メッキ: ニッケルメッキ 1.0 マイクロメートル以上
UNDER PLATING: NICKEL 1.0 MICROMETER MINIMUM
金具: リン青銅 FITTING NAIL: PHOSPHOR BRONZE
錫メッキ 3.0 マイクロメートル以上
TIN 3.0 MICROMETER MINIMUM
下地メッキ: ニッケルメッキ 1.0 マイクロメートル以上
UNDER PLATING: NICKEL 1.0 MICROMETER MINIMUM
- 本製品は 53780-**-**10/-**-**18 の鉛フリー品である。
THIS PRODUCT IS LEAD FREE OF 53780-**-**10/-**-**18.

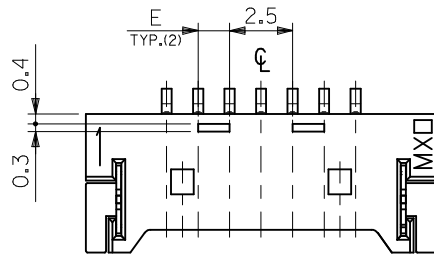
16.25	22.5	38.77	36.25	42.65	53780-3070	53780-3019	30
8.75	22.5	26.27	23.75	30.15	▲ -2070	▲ -2019	20
7.5	20	23.77	21.25	27.65	-1870	-1819	18
6.25	16.25	20.02	17.5	23.9	-1570	-1519	15
5	15	18.77	16.25	22.65	-1470	-1419	14
3.75	12.5	16.27	13.75	20.15	-1270	-1219	12
2.5	8.75	12.52	10	16.4	-0970	-0919	9
1.25	7.5	11.27	8.75	15.15	-0870	-0819	8
1.25	6.25	10.02	7.5	13.9	-0770	-0719	7
—	5	8.77	6.25	12.65	-0670	-0619	6
—	3.75	7.52	5	11.4	-0570	-0519	5
—	2.5	6.27	3.75	10.15	-0470	-0419	4
—	—	5.02	2.5	8.9	▼ -0370	▼ -0319	3
—	—	3.77	1.25	7.65			2
E	D	C	B	A	53780-0270	53780-0219	2

EMBOSSED TAPE MATERIAL NO. CKT. B

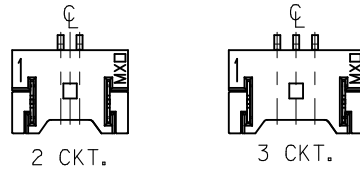
ORDER No. オダー番号 製品番号 極数

MODEL NO. 53780-**-19

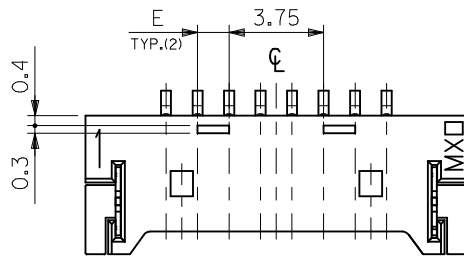
REVISED EC NO: J2009-1158 DRWRTSURIJOKA 2008/11/07 CHKD:THARUYAMA 2008/11/07 APPR:NIKIITA 2008/11/07	GENERAL TOLERANCES (UNLESS SPECIFIED)		DIMENSION STYLE MM ONLY	SCALE 10:1	DESIGN UNITS METRIC	THIRD ANGLE PROJECTION
	10 UNDER	± 0.2	DRAWN BY T. UENO	DATE '04/04/15	TITLE 1.25 W/B CONN WAFER ASSY FOR SMT -LEAD FREE-	
	10 OVER 30 UNDER	± 0.25	CHECKED BY M. SASAO	DATE '04/04/15	MOLEX INCORPORATED	
	30 OVER	± 0.3	APPROVED BY M. SASAO	DATE '04/04/15	MATERIAL NO. SEE CHART	DOCUMENT NO. SD-53780-003
	ANGULAR	± 3 °	THIS DRAWING CONTAINS INFORMATION THAT IS PROPRIETARY TO MOLEX INCORPORATED AND SHOULD NOT BE USED WITHOUT WRITTEN PERMISSION			
	DRAFT WHERE APPLICABLE MUST REMAIN WITHIN DIMENSIONS					



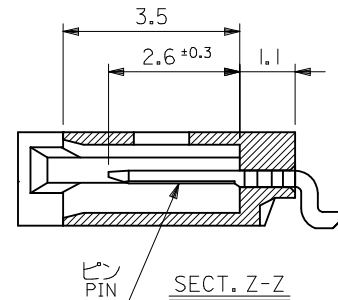
7~19極の奇数極に適用
 APPLY FOR ODD CIRCUITS OF 7~19



ロック形状図
 LOCK CONFIGURATION



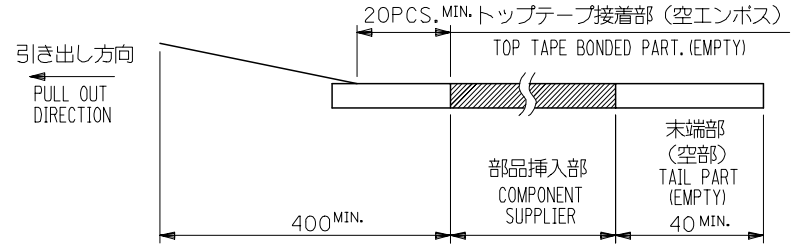
8~30 極の偶数極に適用
 APPLY FOR EVEN CIRCUITS OF 8~30



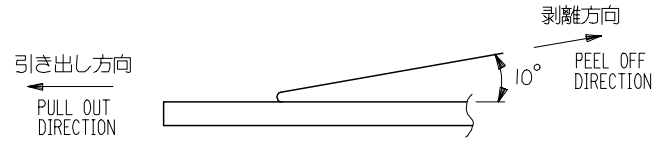
REVISED EC NO: J2009-1158 DRWRTS:RUOKA 2008/11/07 CHKD:THARUYAMA 2008/11/07 APPR:NUKITA 2008/11/07 D	GENERAL TOLERANCES (UNLESS SPECIFIED)		DIMENSION STYLE MM ONLY		SCALE 10:1	DESIGN UNITS METRIC	MODEL NO. 53780-***19	THIRD ANGLE PROJECTION
	10 UNDER	±0.2	DRAWN BY T. UENO	DATE '04/04/15	TITLE 1.25 W/B CONN WAFER ASSY FOR SMT -LEAD FREE-			
	10 OVER 30 UNDER	±0.25	CHECKED BY M. SASAO	DATE '04/04/15	MOLEX INCORPORATED			
	30 OVER	±0.3	APPROVED BY M. SASAO	DATE '04/04/15	DOCUMENT NO. SD-53780-003		SHEET NO. 2 OF 2	
	ANGULAR ±3 °		MATERIAL NO. SEE CHART		THIS DRAWING CONTAINS INFORMATION THAT IS PROPRIETARY TO MOLEX INCORPORATED AND SHOULD NOT BE USED WITHOUT WRITTEN PERMISSION			
DRAFT WHERE APPLICABLE MUST REMAIN WITHIN DIMENSIONS								

NOTES

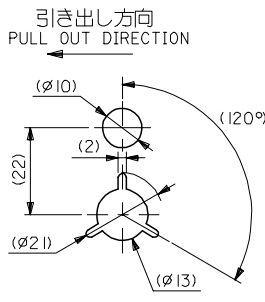
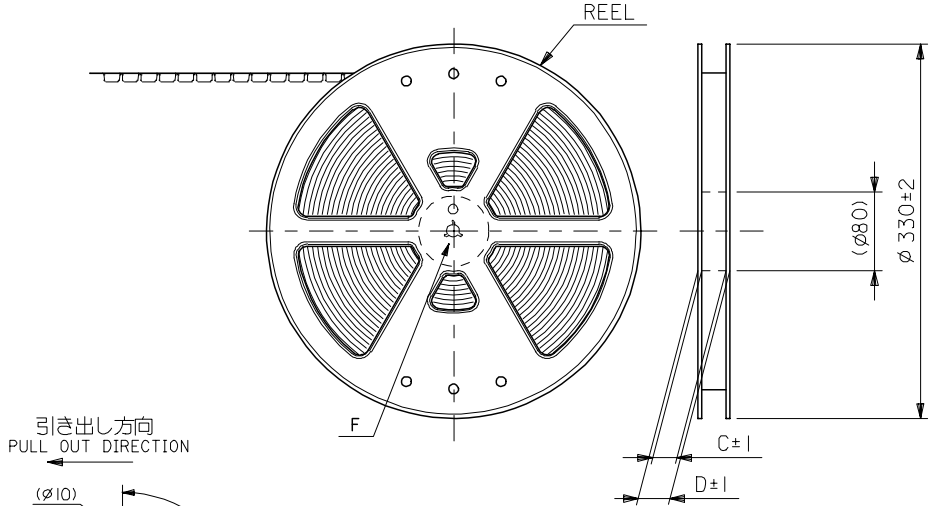
- 1. 梱包数量：1500個/リール
NUMBER OF CONNECTORS : 1500PCS/REEL
- 2. リードテープ長さ LEAD TAPE LENGTH



- 3. トップテープの剥離強度： 0.1N ~ 1.3N (10gf ~ 130gf)
(剥離方向は下図参照)
尚、本規格値は出荷時に適用。(但し、輸送時に剥離が発生しないこと。)
PEELING OFF FORCE OF TOP TAPE : 0.1N ~ 1.3N (10gf ~ 130gf)
(PEELING OFF DIRECTION AS SHOWN IN FOLLOWING FIG.)
THIS REQUIREMENT SHOULD BE APPLIED AT SHIPMENT.
PEEL OFF SHOULD NOT BE ALLOWED , DURING TRANSPORTATION.



- 4. 材料 (MATERIAL)
キャリアテープ (CARRIER TAPE) : ポリプロピレン (POLYPROPYLENE)
トップテープ (TOP TAPE) : PET , PE , PEF
リール (REEL) : ポリスチレン (PS) <リサイクル材を含む>
POLYSTYRENE (PS) <RECYCLE MATERIAL CONTAINED>
- 5. 本製品は 53780- **90/- **80 の鉛フリー品である。
THIS PRODUCT IS LEAD FREE OF 53780- **90/- **80.



DETAIL F

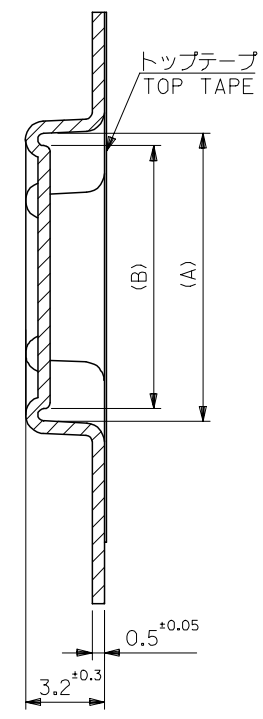
MODEL NO. 53780- **70

REVISED EC NO: J2006-1562 DRW: MNABE 2005/11/16 CHK: KYODOA 2005/11/17 APPR: NUKITA 2005/11/21	GENERAL TOLERANCES (UNLESS SPECIFIED)		DIMENSION STYLE MM ONLY		SCALE ---	DESIGN UNITS METRIC	THIRD ANGLE PROJECTION	
	10 UNDER	± 0.2	DRAWN BY T. UENO	DATE '04/04/15	TITLE 1.25 W/B WAFER ASSY EMBOSSD TAPE PACKAGE -LEAD FREE-			
	10 OVER 30 UNDER	± 0.25	CHECKED BY M. SASAO	DATE '04/04/15	MOLEX INCORPORATED			
	30 OVER	± 0.3	APPROVED BY M. SASAO	DATE '04/04/15	MATERIAL NO. SEE CHART		DOCUMENT NO. SD-53780-004	SHEET NO. 1 OF 4
	ANGULAR	± 3 °	DRAFT WHERE APPLICABLE MUST REMAIN WITHIN DIMENSIONS		THIS DRAWING CONTAINS INFORMATION THAT IS PROPRIETARY TO MOLEX INCORPORATED AND SHOULD NOT BE USED WITHOUT WRITTEN PERMISSION			

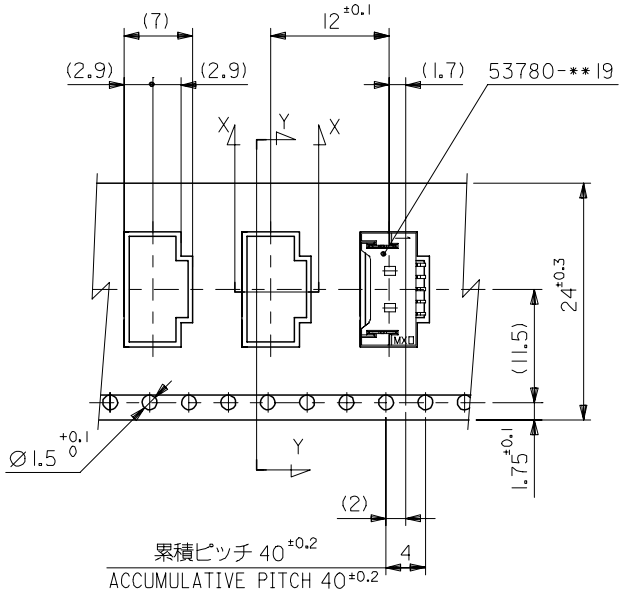
10 9 8 7 6 5 4 3 2 1

F
E
D
C
B
A

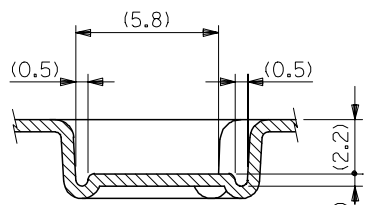
F
E
D
C
B
A



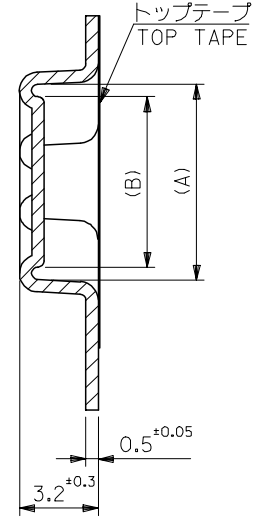
SECT:Y-Y
(SCALE 5:1)



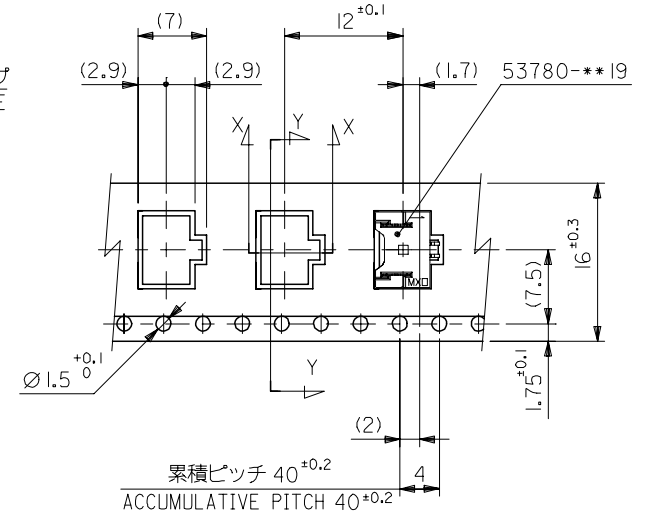
引き出し方向
PULL OUT DIRECTION



SECT:X-X
(SCALE 5:1)



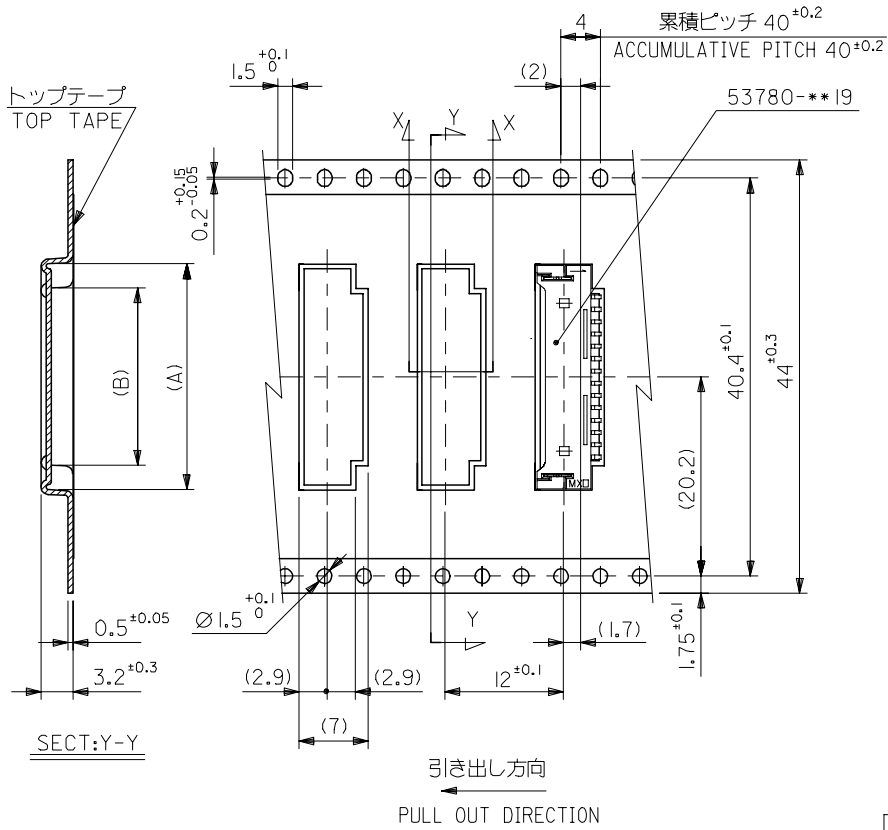
SECT:Y-Y
(SCALE 5:1)



引き出し方向
PULL OUT DIRECTION

24	29.4	25.4	11.75	16.7	53780-0970	9			
			10.5	15.45	53780-0870	8			
			9.25	14.2	53780-0770	7			
			8	12.95	53780-0670	6			
			6.75	11.7	53780-0570	5			
16	21.4	17.4	5.5	10.45	53780-0470	4			
			4.25	9.2	53780-0370	3			
			3	7.95	53780-0270	2			
キャリアテープ幅 CARRIER TAPE WIDTH			D	C	(B)	(A)	MATERIAL NO.	極数 CKT.	
			MODEL NO.		53780-***70		DESIGN UNITS METRIC		THIRD ANGLE PROJECTION

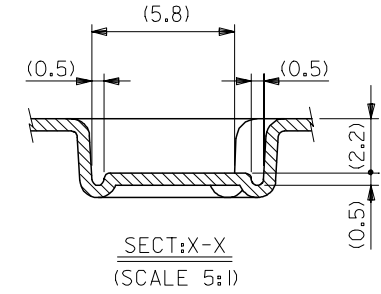
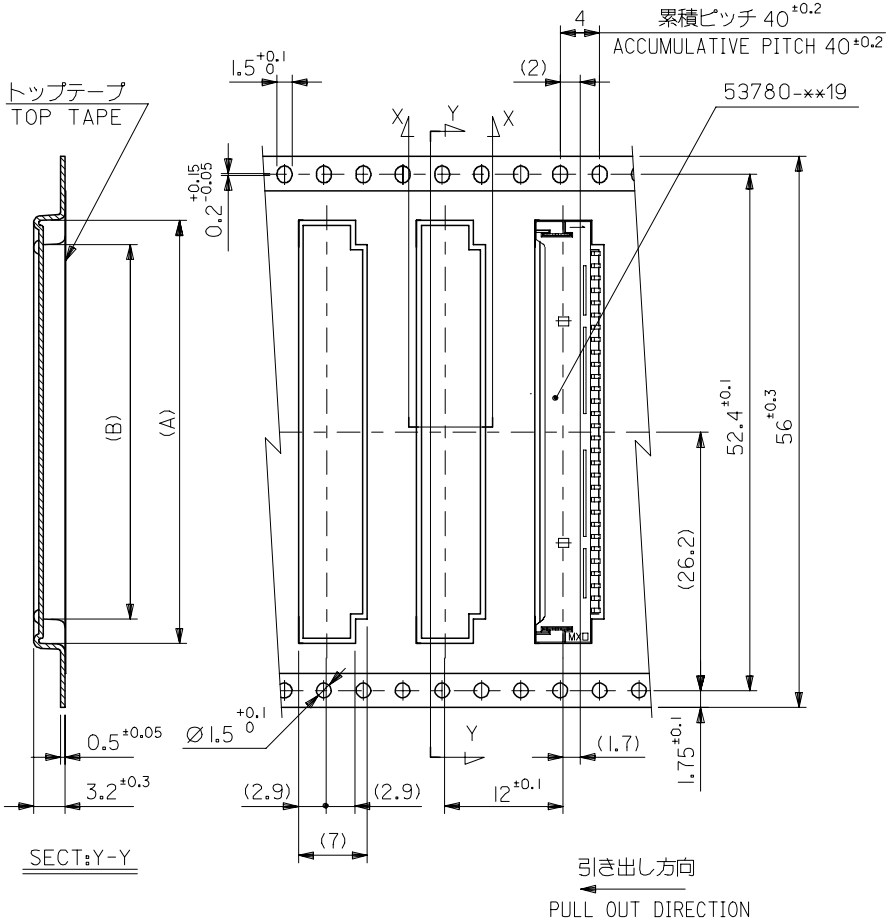
REVISED EC NO: J2006-1562 DRWN: NABEI 2005/11/16 CHKD: TOYODA 2005/11/17 APPR: NUKITA 2005/11/21	GENERAL TOLERANCES (UNLESS SPECIFIED)		DIMENSION STYLE MM ONLY		SCALE 2:1	DESIGN UNITS METRIC		THIRD ANGLE PROJECTION	
	10 UNDER	±0.2	DRAWN BY T. UENO	DATE '04/04/15	TITLE 1.25 W/B WAFER ASSY EMBOSSED TAPE PACKAGE -LEAD FREE-				
	10 OVER 30 UNDER	±0.25	CHECKED BY M. SASAO	DATE '04/04/15	MOLEX INCORPORATED				
	30 OVER	±0.3	APPROVED BY M. SASAO	DATE '04/04/15	MATERIAL NO.		DOCUMENT NO.		SHEET NO.
	ANGULAR	±3 °	DRAFT WHERE APPLICABLE MUST REMAIN WITHIN DIMENSIONS		SEE CHART		SD-53780-004		2 OF 4
A	THIS DRAWING CONTAINS INFORMATION THAT IS PROPRIETARY TO MOLEX INCORPORATED AND SHOULD NOT BE USED WITHOUT WRITTEN PERMISSION								



44	49.4	45.4	25.5	30.45	53780-2070	20	
			25.5	27.95	53780-1870	18	
			19.25	24.2	53780-1570	15	
			18	22.95	53780-1470	14	
			15.5	20.45	53780-1270	12	
キャリアテープ幅 CARRIER TAPE WIDTH			D	C	(A)	MODEL NO. DESIGN UNITS 53780-***70 METRIC	MATERIAL NO. 極数 CKT. 53780-***70

REVISED EC NO: J2006-1562 DRWN: NABEI 2005/11/16 CHKDK: TOYODA 2005/11/17 APPR: NUKITA 2005/11/21	DESCRIPTION	GENERAL TOLERANCES (UNLESS SPECIFIED)		DIMENSION STYLE MM ONLY		SCALE ---	THIRD ANGLE PROJECTION	
		10 UNDER	± 0.2	DRAWN BY T. UENO	DATE '04/04/15	TITLE 1.25 W/B WAFER ASSY EMBOSSED TAPE PACKAGE -LEAD FREE-		
		10 OVER 30 UNDER	± 0.25	CHECKED BY M. SASAO	DATE '04/04/15			
		30 OVER	± 0.3	APPROVED BY M. SASAO	DATE '04/04/15			
		ANGULAR	± 3 °	MATERIAL NO.		DOCUMENT NO.		SHEET NO.
DRAFT WHERE APPLICABLE MUST REMAIN WITHIN DIMENSIONS		SEE CHART		SD-53780-004		3 OF 4		
SIZE A3 THIS DRAWING CONTAINS INFORMATION THAT IS PROPRIETARY TO MOLEX INCORPORATED AND SHOULD NOT BE USED WITHOUT WRITTEN PERMISSION								

10 9 8 7 6 5 4 3 2 1



F
E
D
C
B
A

F
E
D
C
B
A

REVISED	GENERAL TOLERANCES (UNLESS SPECIFIED)	56	57.5	38.0	42.95	53780-3070	30
EC NO: J2006-1562	10 UNDER ±0.2	キャリアテープ幅 CARRIER TAPE WIDTH		C	(B)	(A)	極致 MATERIAL NO. CKT.
DRW: NABEI	10 OVER 30 UNDER ±0.25	DIMENSION STYLE		MM ONLY	SCALE	DESIGN UNITS	THIRD ANGLE PROJECTION
CHK: KTOYODA	30 OVER ±0.3	DRAWN BY		T. UENO	DATE	1.25 W/B WAFER ASSY EMBOSSED TAPE PACKAGE -LEAD FREE-	
APP: NUKITA	ANGULAR ±3 °	CHECKED BY		M. SASAO	DATE	MOLEX INCORPORATED	
REV A	DRAFT WHERE APPLICABLE MUST REMAIN WITHIN DIMENSIONS	APPROVED BY		M. SASAO	DATE	MATERIAL NO. DOCUMENT NO. SHEET NO.	
		SEE CHART		SD-53780-004		4 OF 4	
		THIS DRAWING CONTAINS INFORMATION THAT IS PROPRIETARY TO MOLEX INCORPORATED AND SHOULD NOT BE USED WITHOUT WRITTEN PERMISSION					